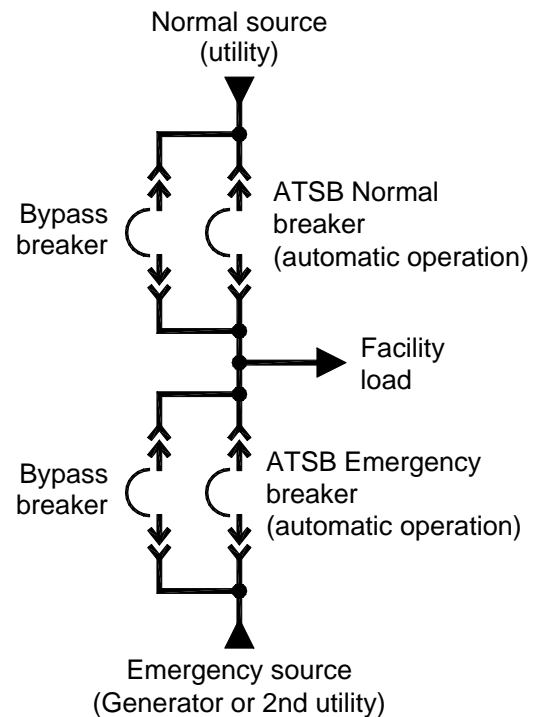
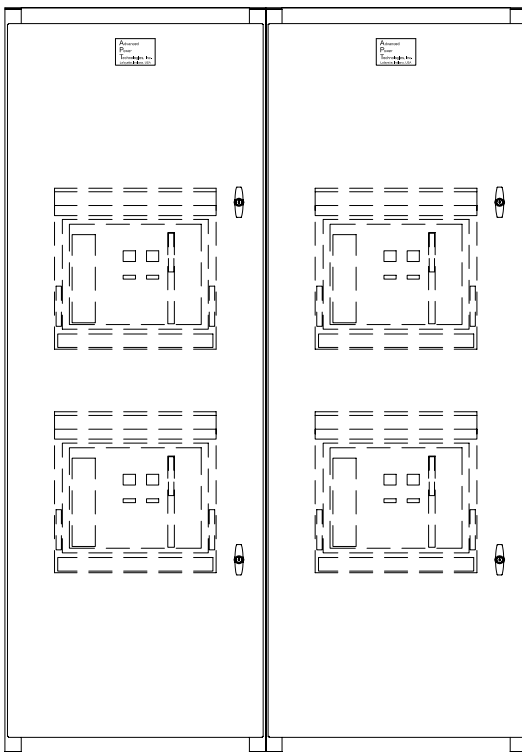


Featured Product:

Redundant Bypass Isolation Automatic Transfer Switchboard



- Low voltage switchgear available as UL 891 listed
- Provides all necessary overcurrent protection – no additional generator or utility circuit breakers required
- Available as service entrance as required by NEC
- Active synchronizing available for generator applications as option
- Utility RTU compatible
- Available as closed or open transition – closed transition eliminates power outage during transfer – open transition prevents connection of generator to utility
- Available in NEMA 3R for outdoor use
- High accuracy electrical metering available as option
- Standard silver plated copper bus
- Fully operational with any circuit breaker removed for service

Switchboard Specifications

Voltage:	208 – 690V, 3 phase, 3 or 4 wire
Current:	Up to 4000A
Enclosure:	NEMA 1 for indoor use NEMA 3R for outdoor use (optional)
Dimensions:	Up to 3000A – 56"W x 80"H x 46" or 54" or 62"D Up to 4000A -- 72"W x 80"H x 62"D
Metering options:	3 varieties of APT Power Sensors available: PS-V – voltage and frequency sensing PS-P – power sensing (A, kW, PF, kVAR, etc.) PS-E – energy sensing (kW-hrs., kVAR-hrs.)
Metering accuracy:	0.3% - voltage and current 0.6% - power and energy
Options:	SCADA-ready Modbus communications port UL891 Service Entrance Rated Closed Transition Transfer